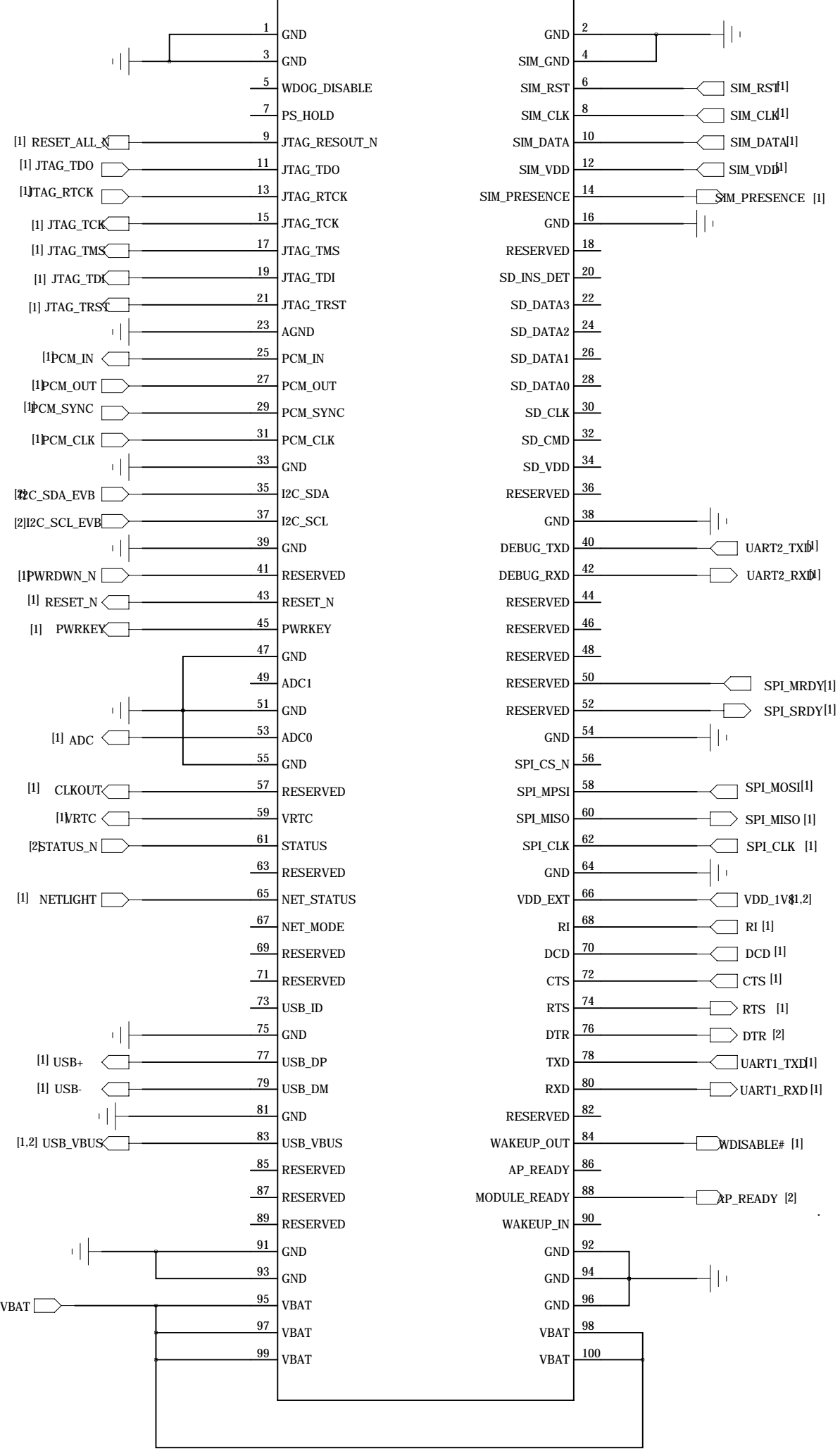
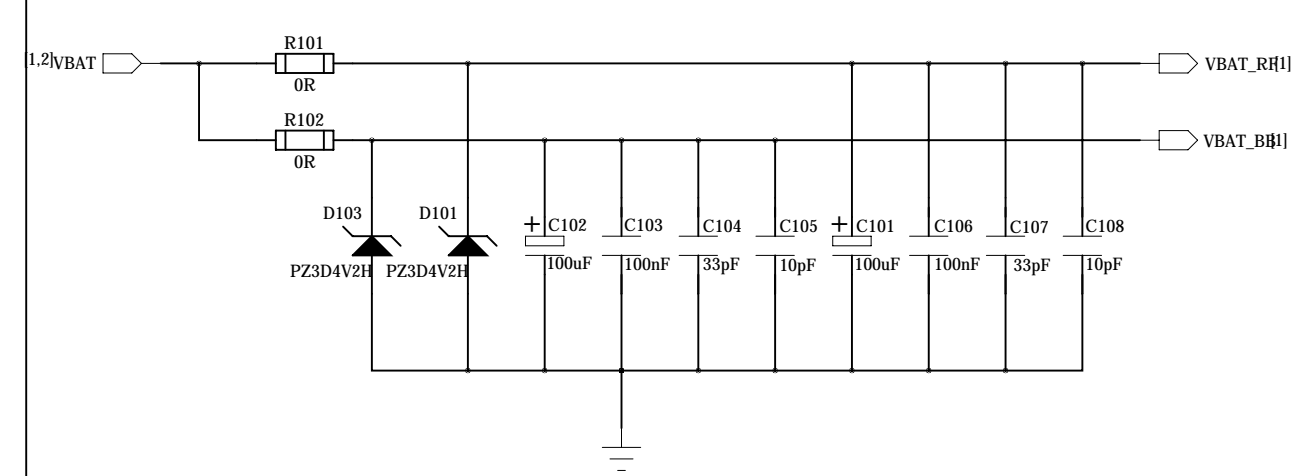
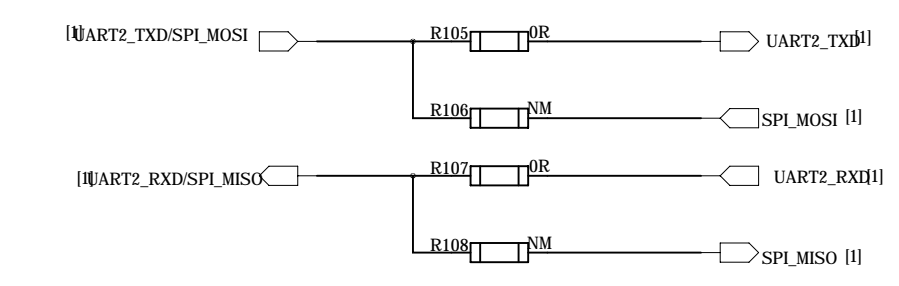
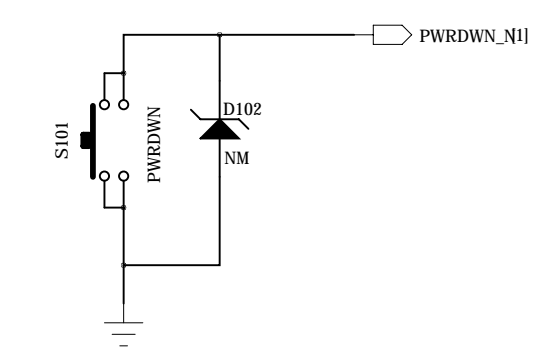
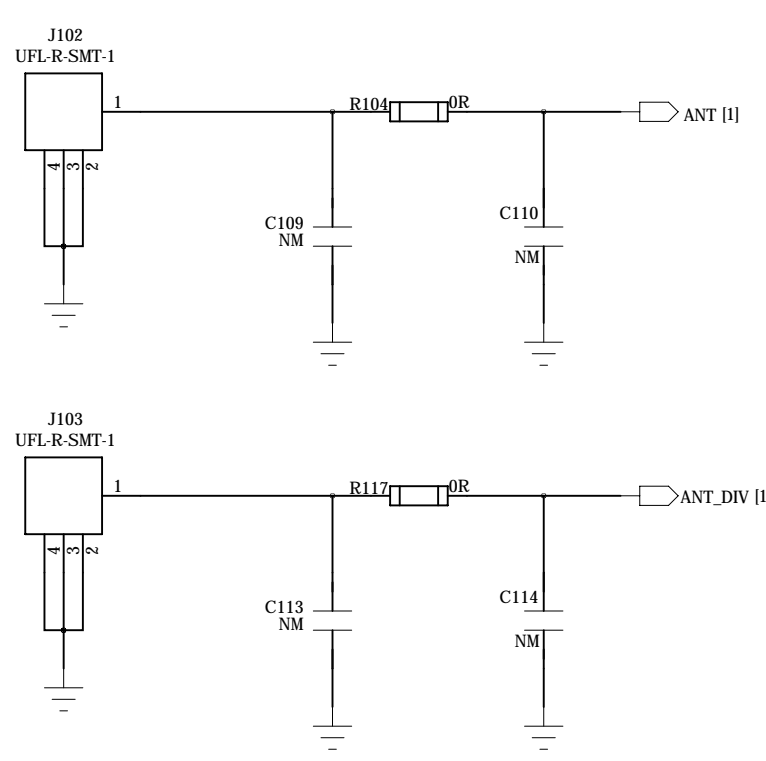
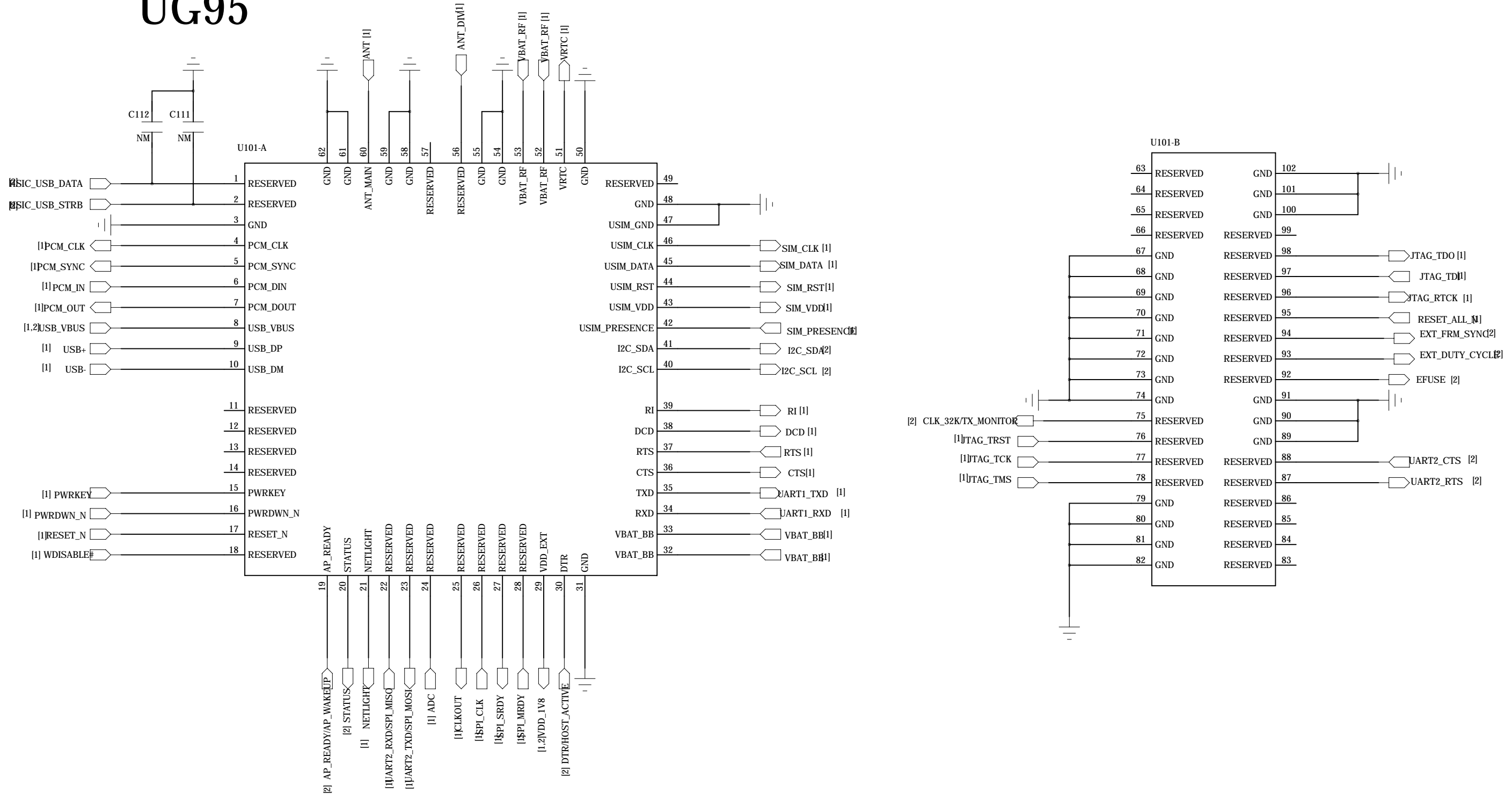


EVB CONNECTOR

J101 AXK600347YG



UG95



| Quectel Wireless Solutions | | |
|----------------------------|----------------------|------------------------|
| DRAWN BY <> | PROJECT UG95-TE-A | TITLE B2B Connector |
| CHECKED BY <NAME HERE> | SIZE A2 | VER 1.01 |
| | SHEET 1 of 2 | <2014.08> |

D

C

B

A

D

C

B

A

6

5

4

3

2

1

6

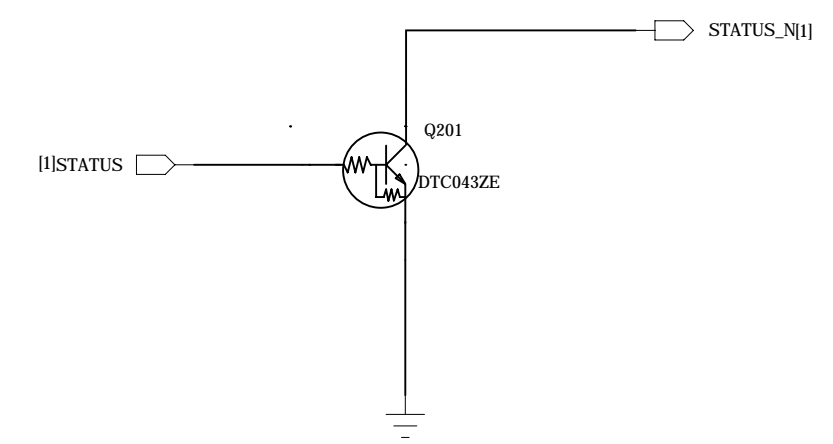
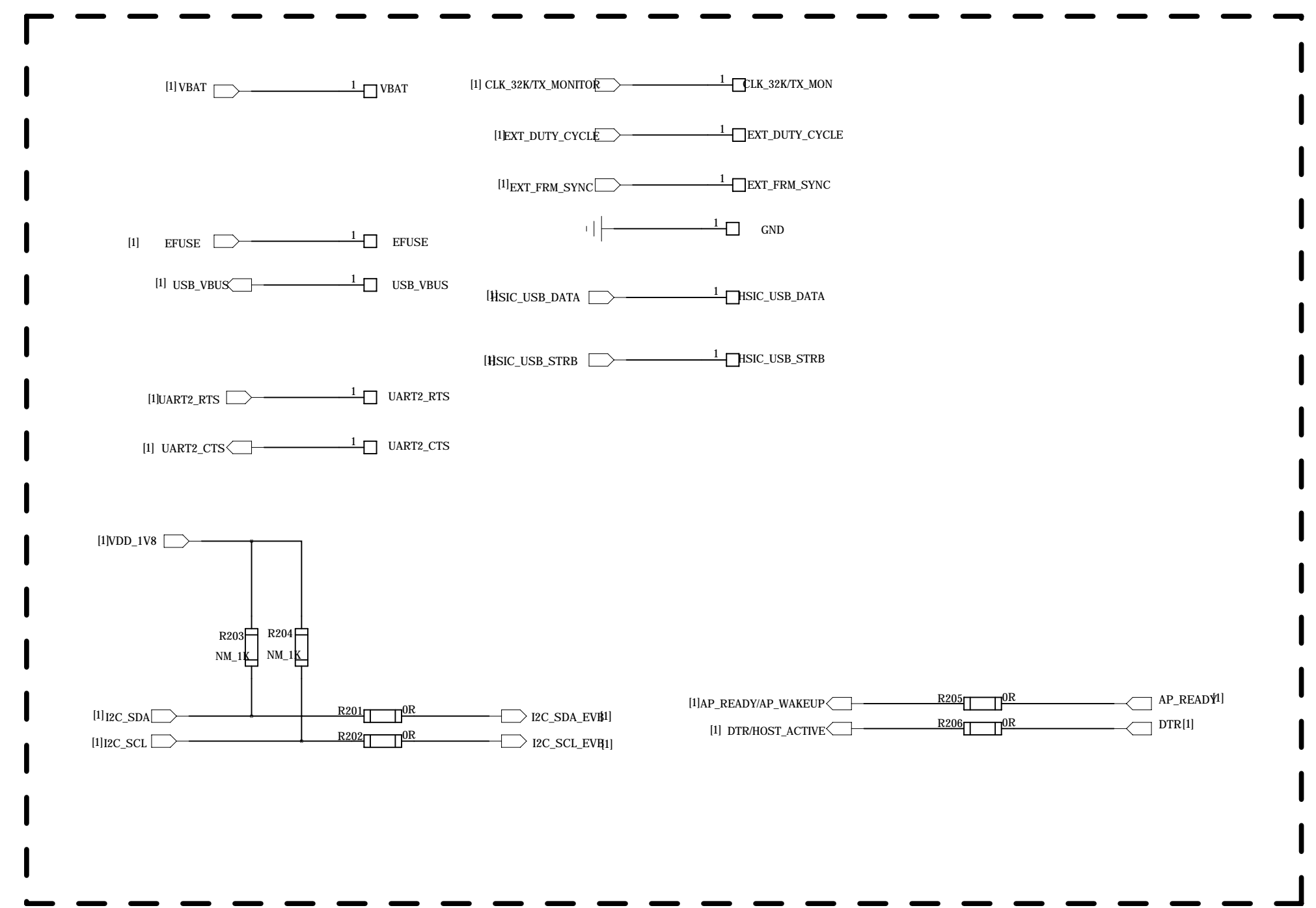
5

4

3

2

1



Quectel Technology

| | | |
|---------------------------|----------------------|---------------------|
| DRAWN BY <Yeoman CHEN> | PROJECT UG95-TE-A | TITLE TEST_POINT |
| CHECKED BY <NAME HERE> | SIZE A2 | VER 1.01 |
| SHEET 2 of 2 | | <2014.08> |