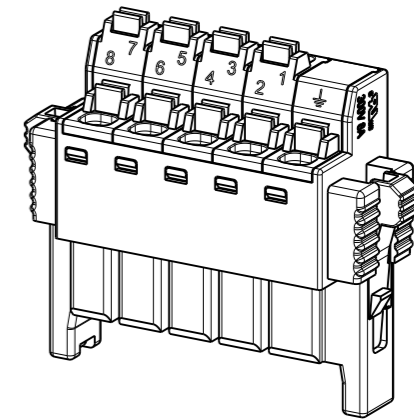
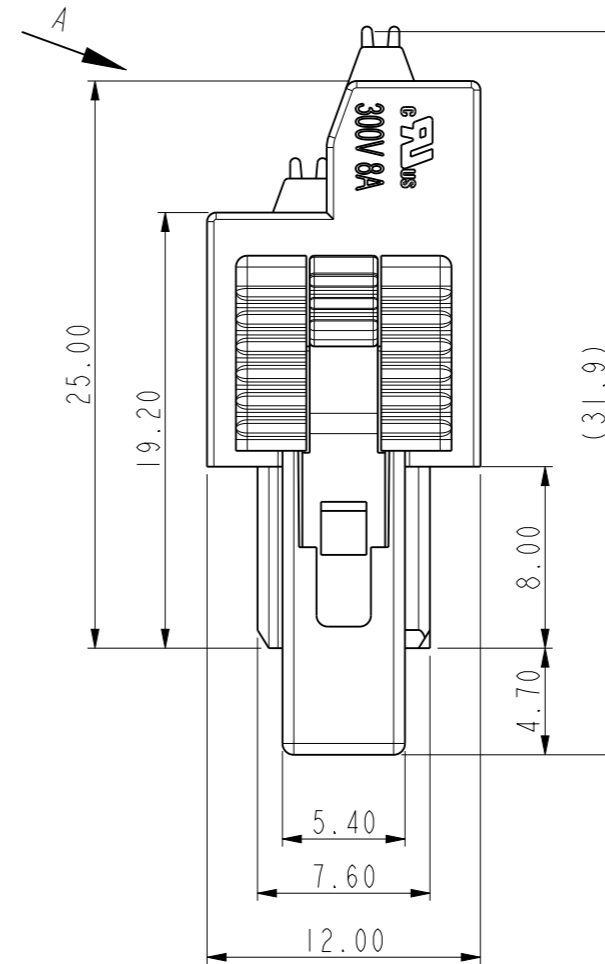
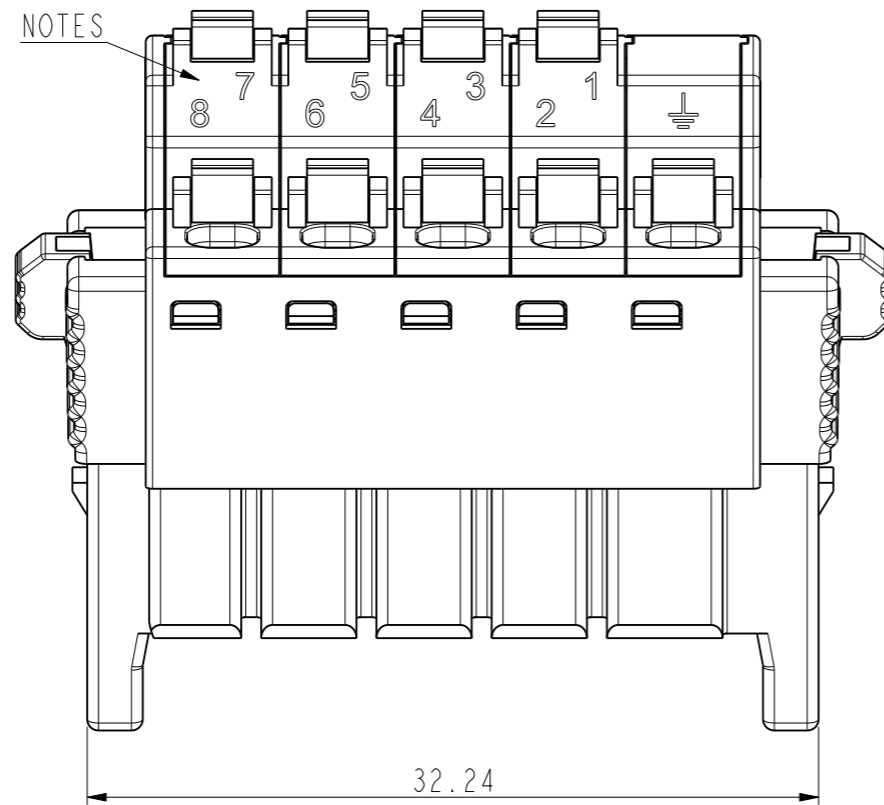
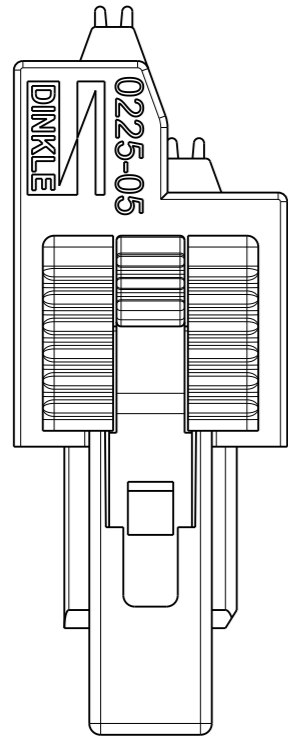
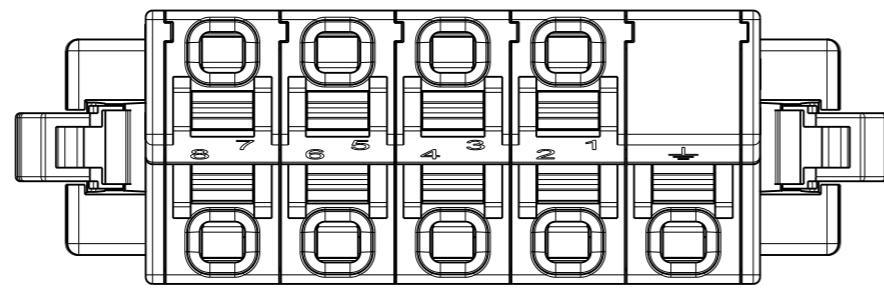
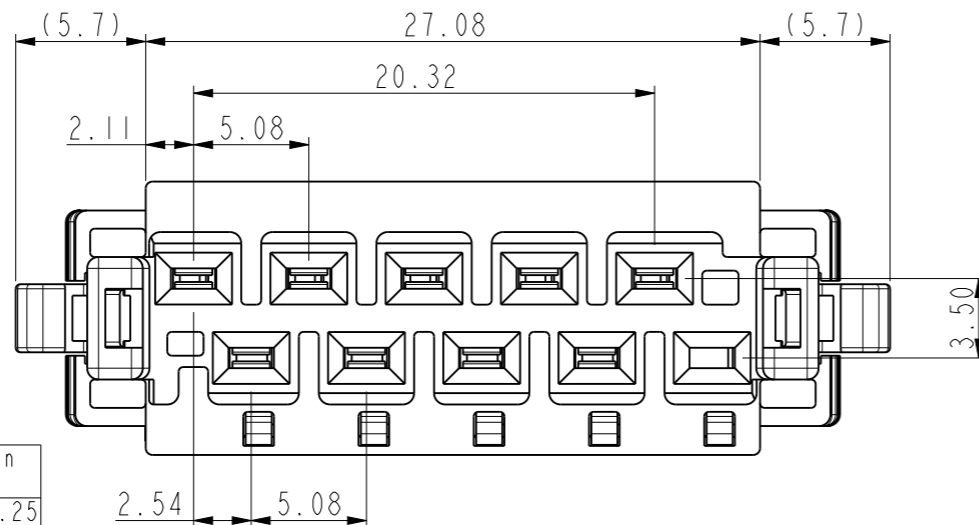


DINKLE has proprietary right to these drawings and specifications hereon, it shall not be reproduced or used as the basis for the manufacture of devices without permission. User should verify drawings are the most recent version.  
Copyright © DINKLE Enterprise Co., Ltd. All Rights reserved.



NOTES:  
1. Printing color: White, font: Arial,  
Font height: 1.2mm, Width ratio: 1.0



Total Pitch Tolerances		Normal dimension Tolerances	
0~30	±0.20	0~30	±0.25
over 30~53	±0.25	over 30~53	±0.30
over 53~70	±0.30	over 53~70	±0.35
over 70~90	±0.35	over 70~90	±0.44
over 90~115	±0.44	over 90~115	±0.55
over 115~150	±0.55	over 115~150	±0.70
over 150~200	±0.70	over 150~200	±0.85
over 200~250	±0.85	over 200~250	±1.00
over 250~320	±1.00	over 250~320	±1.20

ITEM	NAME OF PART	MATERIAL	NOTES
8	SOLDER PIN	COPPER ALLOY	Tin Plated
7	SOLDER PIN	COPPER ALLOY	Tin Plated
6	S-CAGE	STAINLESS STEEL	
5	LOCK FLANGE	PBT	BLACK
4	LEVER	POM	ORANGE
3	HOUSING	PA66	UL94-V0 BLACK
2	COVER	PA66	UL94-V0 BLACK
1	COVER	PA66	UL94-V0 BLACK

DRW.	Hong.Li	DATE	2018-03-08	GENERAL TOLERANCE	
CHK.	Don.Yan	DATE	2018-03-08	SPECIFICATION FILE	SF-0225-05-001
APP.	Xuehou.Yao	DATE	2018-03-08	DRAWING TYPE	SP-03

**CODICO**  
 CODICO GmbH  
 Zwingenstraße 6-8, 2390 Perchtoldsdorf, Austria  
 Telefon: +43 1 86 305-0, Fax: +43 1 86 305-5000  
 e-mail: office@codico.com, www.codico.com  
 FN 436940i, Landesgericht Wr. Neustadt  
 Zertifiziert nach ISO 9001:2015

NAME **0225-0509**

<b>DINKLE</b> ENTERPRISE CO., LTD.	UNITS	mm	THIRD ANGLE PROJECTION	
	SCALE	3:1	SHEET/OF	1/1

V2	2				
REV.		CONTENT	DRW.	DATE	

# 0225-05XX

 规格书编号/Specification File No.: **SF-0225-05-001**

版本/Version: A1

## 一般資訊 / General Information

间距/ Pitch (mm)	5.08
产品标准颜色/ Color	Black
接线方式/Connection method	Push-in Design
固定方式/ Type of locking	With lock flange
产品长度/ Length (mm)	5.08*(P/2-1)+18.22
产品宽度/ Width (mm)	12
产品高度/ Height (mm)	32.1
产品点数/Number of poles	04P~40P

## 材料信息/ Material Information

绝缘材料/ Insulating material	PA66
绝缘材料组别 / Insulating material group	I
阻燃等级,符合 UL94 / UL94 Flammability rating	V0
绝缘阻抗/ Insulation resistance	> 500MΩ at DC 500V
导体材料/Contact material	Copper Alloy
导体表面镀层/Contact surface	Tinned

## IEC数据 / IEC Data

额定电压 / Rated Voltage (V)	630
额定电流 / Rated Current(A)	14
额定电压 (II/2) / Rated Voltage (II/2) (V)	630
额定电压 (III/2) / Rated Voltage (III/2) (V)	320
额定电压 (III/3) / Rated Voltage (III/3) (V)	250
额定冲击电压(II/2) / Rated Impulse Voltage (II/2)(Kv)	4
额定冲击电压(III/2) / Rated Impulse Voltage (III/2)(Kv)	4
额定冲击电压(III/3) / Rated Impulse Voltage (III/3)(Kv)	4
最大硬质导线横截面积 / Conductor cross section solid. max ( mm <sup>2</sup> )	1.5
最小硬质导线横截面积 / Conductor cross section solid. min ( mm <sup>2</sup> )	0.2
最大柔性导线横截面积/ Conductor cross section stranded. max ( mm <sup>2</sup> )	1.5
最小柔性导线横截面积/ Conductor cross section stranded. min ( mm <sup>2</sup> )	0.2
柔性导线横截面积·最大的管状裸端子 / Conductor cross section flexible, with max ferrule without insulation (mm <sup>2</sup> )	1

# 0225-05XX

 规格书编号/Specification File No.: **SF-0225-05-001**

版本/Version: A1

柔性导线横截面积，最小的管状裸端子 / Conductor cross section flexible, with min ferrule without insulation (mm <sup>2</sup> )	0.25
柔性导线横截面积，最大的管状预绝缘端子 / Conductor cross section flexible, with max ferrule with insulation (mm <sup>2</sup> )	1
柔性导线横截面积，最小的管状预绝缘端子 / Conductor cross section flexible, with min ferrule with insulation (mm <sup>2</sup> )	0.25
具有相同截面积的二根柔性导线，最大管状裸端子 / 2 conductors with same cross section flexible, with max ferrule without insulation (mm <sup>2</sup> )	0.5
具有相同截面积的二根柔性导线，最小的管状裸端子 / 2 conductors with same cross section flexible, with min ferrule without insulation (mm <sup>2</sup> )	0.5
具有相同截面积的二根柔性导线，最大双线管状预绝缘端子 / 2 conductors with same cross section flexible, max ferrule with insulation for double wire (mm <sup>2</sup> )	0.5
具有相同截面积的二根柔性导线，最小的双线管状预绝缘端子 / 2 conductors with same cross section flexible, min ferrule with insulation for double wire (mm <sup>2</sup> )	0.5
剥线长度/ Stripping Length (mm)	8~9

## UL数据 / UL Data

额定电压 (UL/CUL 标准组 B 组)/Rated Voltage (UL/CUL B Group) (V)	300
额定电流 (UL/CUL 标准组 B 组)/Rated Current (UL/CUL B Group)(A)	8
额定电压 (UL/CUL 标准组 D 组)/ Rated Voltage (UL/CUL D Group) (V)	300
额定电流 (UL/CUL 标准组 D 组)/Rated Current (UL/CUL D Group)(A)	8
AWG,符合 UL/CUL, Sol. max/Max solid wire connection AWG acc. to UL/CUL	16
AWG,符合 UL/CUL, Sol. min/Min. solid wire connection AWG acc. to UL/CUL	28
AWG,符合 UL/CUL, Str.max/Max. stranded wire connection AWG acc. to UL/CUL	16
AWG,符合 UL/CUL, Str.min/Min. stranded wire connection AWG acc. to UL/CUL	28

## 环境与安全/ Environmental and safety

手指防护(YES or NO) / Finger protection	YES
最高工作温度 / Max. operating temperature(°C)	115
最低工作温度 / Min. operating temperature(°C)	-40

## 产品认证/许可/ Approvals



# 0225-05XX

 规格书编号/Specification File No.: **SF-0225-05-001**

版本/Version: A1

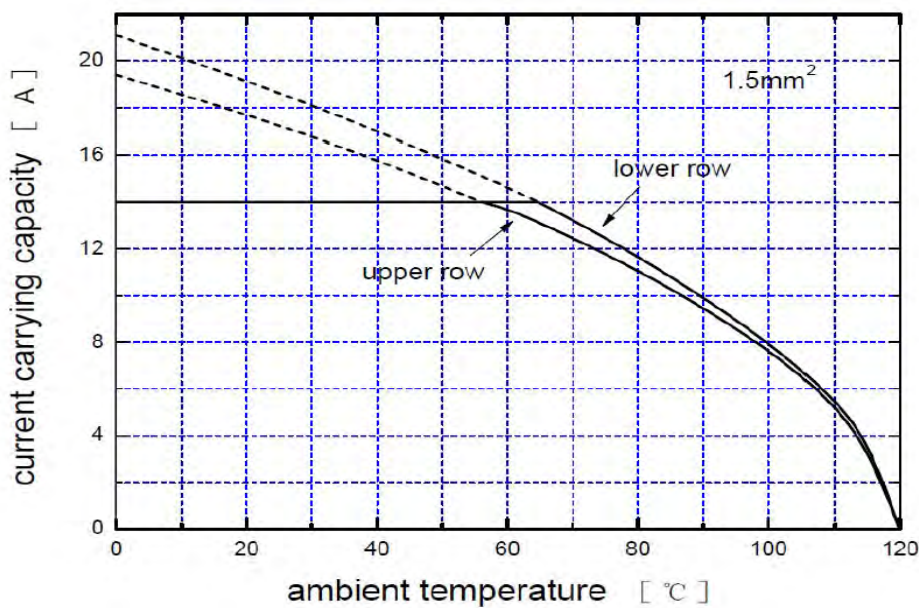
## UL Recognized

线径范围 B 组/Wire Range(AWG)	28~16
额定电流 B 组/Rated Current(A)	8
额定电压 B 组/Rated Voltage (V)	300
线径范围 D 组/Wire Range(AWG)	28~16
额定电流 D 组/Rated Current(A)	8
额定电压 D 组/Rated Voltage (V)	300

## CUL Recognized

线径范围 B 组/Wire Range(AWG)	28~16
额定电流 B 组/Rated Current(A)	8
额定电压 B 组/Rated Voltage (V)	300
线径范围 D 组/Wire Range(AWG)	28~16
额定电流 D 组/Rated Current(A)	8
额定电压 D 组/Rated Voltage (V)	300

## 降额曲线图 / Derating Curve



Reduction factor=0.8