



## 60W Single Port Power over Ethernet Midspan IEEE802.3bt Compliant Power Injector



### Features

- Compliant with IEEE802.3bt Standard
- Compliant with Phihong Proprietary 12.5K Detection
- Non-Vented Case
- 4 Pair Powering +3,6,4,5 / - 1,2,7,8
- Full Protection OVP, OCP
- Limited Power Source
- Single Source 4 Pair Power Current Sharing
- Broken Wire Detection
- Gigabit Compatible
- 1 Year Warranty

### Applications

- IP Telephones
- Wireless Access Points
- Bluetooth® Access Points
- Security Cameras
- IP Print Servers
- WiMAX® Access Points

### Safety Approvals

- cUL/UL
- CE

### Mechanical Characteristics

- Length: 140mm (5.51in.)
- Width: 65mm (2.55in.)
- Height: 36mm (1.42in.)
- Weight: 0.2Kg (0.47lbs)

### Output Specifications

Model	AC Input	DC Output Voltage	Load		Regulation <sup>1</sup>	
			Min.	Max. <sup>2</sup>	Line	Load
POE60U-1BT	3 Wire C14	56V	10mA	1.07A	+56VDC +1V/-3V (57-53VDC)	

Notes:

1. Voltage measured within 2" of the output RJ45 connector on data pairs 3,6(+) and 1,2(-)
2. Combined output on data pairs and spare pairs. Otherwise 535mA on data pairs 3,6(+) 1, 2(-) and spare pairs 4,5(+) 7,8(-)

Phihong is not responsible for any error, and reserves the right to make changes without notice. Please visit our website at [www.phihong.com](http://www.phihong.com) for the most up-to-date specifications and contact information.

**INPUT:****AC Input Voltage Range**

90VAC to 264VAC

**AC Input Voltage Rating**

100 to 240VAC

**AC Input Current**

2.0A (RMS) max for 90VAC

1.2A (RMS) max for 240VAC

**Leakage Current**

3.5mA max @ 264VAC/50Hz

**AC Inrush Current**

40A (RMS) max for 115VAC

80A (RMS) max for 230VAC

**OUTPUT:****Total Output Power**

60W @40C

30W @50C

**Output Ripple**

100mV max @25C, 100-240VAC

**Efficiency**

75% (typical) at max load,120VAC 60Hz

**Hold-up Time**

10mS min. 120VAC/60Hz max load

**ENVIRONMENTAL:****Temperature**Operation -10°C to +40°C for 60W  
>40°C to +50°C for 30W

Non-operation -20°C to +65°C

Humidity 5 to 90%

**EMC**

Complies with FCC Class B

Complies with EN55032 Class B

**Isolation Test**Primary to Secondary: 4242VDC for 1min  
10mAPrimary to Field Ground: 2121VDC for 1min,  
10mA**Immunity**

ESD: IEC61000-4-2. Level 3

RS: IEC61000-4-3. Level 3

EFT: IEC61000-4-4. Level 2

Surge: IEC61000-4-5. Level 3

CS: IEC61000-4-6. Level 2

Voltage Dips IEC61000-4-11

Harmonic: IEC61000-3-2 Class A

**Insulation Resistance**

Primary to Secondary: &gt;10M OHM 500VDC

Primary to Field Ground: >10M OHM  
500VDC**FEATURES:****Over Current Protection**

Output #1(OUT) &lt;650mA

Output #2(OUT) &lt;650mA

Output #1 and #2 Combined(OUT) &lt;1300mA

**Over Voltage Protection**

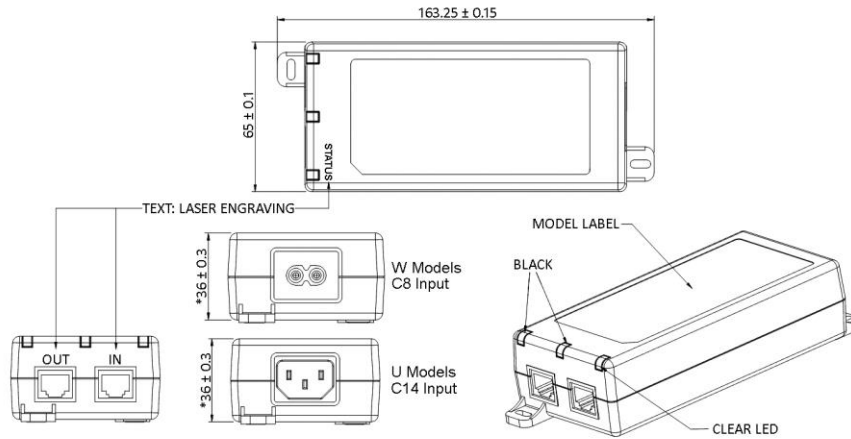
Meets UL requirements

**Short Circuit Protection**Output can be shorted permanently without  
damage**LED Indicators***No LED* - Power failure*Green LED short Blinking* - POE power ready  
but no connection*Green LED solid* - POE output power good*Green/Red LED alternate short blinking* - POE  
detection failure*Green LED short/Red long blinking* - POE  
output over power or short

**Input Connector**  
IEC320 inlet 3 pin

**Output Connection**  
+pins 3,6,4,5 / -pins 1,2,7,

**Dimension Diagram Unit: mm**



**CODICO GmbH**  
Zwingenstraße 6-8, 2380 Perchtoldsdorf, Austria  
Telefon: +43 1 86 305-0, Fax: +43 1 86 305-5000  
e-mail: office@codico.com, www.codico.com  
FN 436940i, Landesgericht Wr. Neustadt

Zertifiziert nach ISO 9001:2015